

Description

POLYLACK F, K, KG is an intumescent paint and mastic based on antipyrenes, carbon and gas-forming additives and water dispersions of synthetic resins. The applied and dried paint will turn into a foamy, coaly layer when exposed to high temperatures, which will prevent the combustion of the cable insulation layer and flame propagation on the treated surfaces.

Mounting method

- Fire stop sealing of gaps and architectural expansion joints.
- Fire stop sealing of cable duct penetrations – cables, cable batches and cable ducts.
- Fire stop sealing of combined penetrations – cables, rigid and flexible pipes
- Fire stop sealing in the penetration of single and nonsingle pipes made of combustible material.

Technikal datas

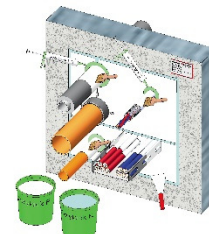
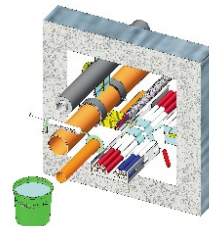
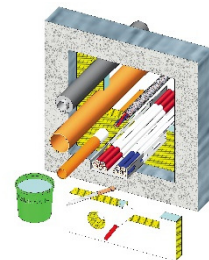
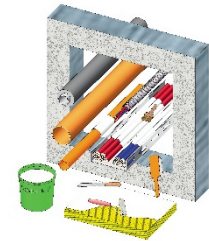
Physical and chemical properties	Polylack F	Polylack K	Polylack KG
Color and appearance	white, pasty texture, liquid	white paste	grey paste
Reaction to fire	E class	E class	E class
pH	7,0 – 8,0	7,0 – 8,0	7,0 – 8,0
Density	1,26 – 1,40 g/cm ³	1,25 – 1,40 g/cm ³	1,28 – 1,42 g/cm ³
VOC	0,0 g/l	0,0 g/l	0,0 g/l
Application temperature	+5 °C – 40 °C	+5 °C – 40 °C	+5 °C – 40 °C
Dry film thickness / Filling dimensions	0,5 mm	10 mm x 25 mm	10 mm x 25 mm
Full drying time	24 hour	24 - 72 hour	24 - 72 hour
Expansion ratio	1 : 25	1 : 10	1 : 5
Storage	between + 5 °C és + 35 °C		
Package	12,5 kg plastic bucket	12,5 kg plastic bucket, 310 ml cartouche	12,5 kg plastic bucket, 310 ml cartouche

Mounting method

Installation of combined penetrations with TWO-LAYERS

mineral wool board – EI 120

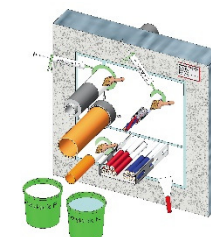
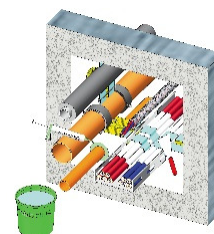
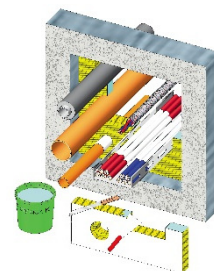
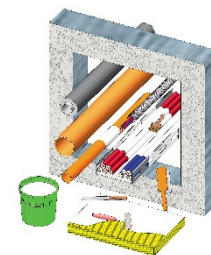
1. The internal wall surfaces of the penetrations shall be free from dust and other contaminations
2. One side of the mineral wool board of at least 150 kg/m³ of density and 60 mm of thickness shall be painted with Polylack F paint – after drying, the paint thickness shall be 0.5 mm. You can use original, Polylack F treated Dunamenti Dunaboard boards.
3. The required pieces shall be cut from the mineral wool board, and they shall be fit in the penetrations
4. The gap between the cables and the mineral wool shall be filled with Polylack KG mastic in a depth of 25 mm. The cables and cable ducts shall be coated with Polylack F paint in a length of 150 mm from the wall
5. PS Collars shall be mounted on combustible pipes up to a diameter of 160 mm on both sides of the mineral wall, and in case of floors on the bottom of the floor.
6. Pipes made of combustible materials up to a diameter of 50 mm can also be sealed with Polylack KG mastic. In this case the filling shall be adapted to the pipe diameter. The filling depth is in every case 25 mm, its width is equal to the pipe radius.
7. Cable protection pipes up to a diameter of 50 mm can also be sealed with Polylack KG mastic. In this case the filling shall be adapted to the pipe diameter. The filling depth is in every case 25 mm, its width is equal to the pipe radius
8. Insulated, non-combustible pipes in penetrations can be sealed with Polylack KG mastic. The filling depth is in every case 25 mm, its width is equal to the insulation thickness
9. Uneven surfaces between walls, fittings and the mineral wool shall be smoothed and sealed with Polylack K mastic
10. Fire stop sealing shall be marked by a label containing the following data: constructor company name, applied materials, fire resistance limit value, certificate no., date of installation, signature of the installer



POLYLACK F, K, KG

Installation of combined penetrations with ONE-LAYER mineral wall board – EI 60

1. The internal wall surfaces of the penetrations shall be free from dust and other contaminations
2. Both sides of the mineral wool board of at least 150 kg/m^3 of density and at least 50 mm of thickness shall be painted with Polylack F paint – after drying, the paint thickness shall be 0.5 mm. You can use original, Polylack F treated Dunamenti Dunaboard board
3. The required pieces shall be cut from the mineral wool board, and they shall be fit in the penetration. The mineral wool may be aligned with one of the wall surfaces or may be installed in the centre.
4. The gap between the cables and the mineral wool shall be filled with Polylack KG mastic in a depth of 25 mm. The gap between the cables and cable ducts shall be coated with Polylack F paint in a length of 150 mm from the wall
5. PS Collars shall be mounted on combustible pipes up to a diameter of 125 mm on both sides of the mineral wall, and in case of floors on the bottom of the floor.
6. 150 mm wide PS Bandage shall be rolled around the metal pipes with combustible insulation, the number of layers of which is based on the insulation thickness
7. Uneven surfaces between walls, fittings and the mineral wool shall be smoothed and sealed with Polylack F, K or KG mastic
8. Fire stop sealing shall be marked by a label containing the following data: constructor company name, applied materials, fire resistance limit value, certificate no., date of installation, signature of the installer



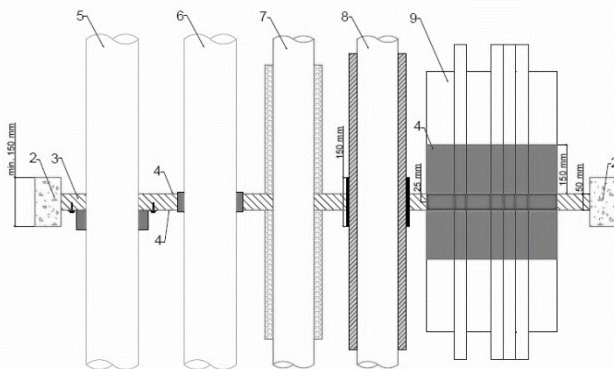
POLYLACK F, K, KG

Polylack F, K, KG combined penetration consumption

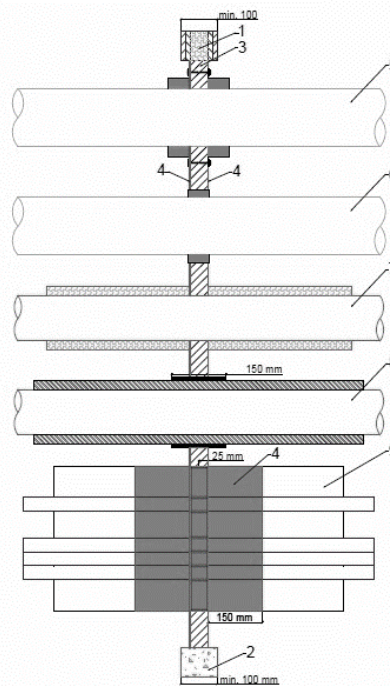
Gap size m ²	Occupied area 30%			Occupied area 60%		
	Dunaboard (PF) m ²	Polylack F kg	Polylack K, KG kg	Dunaboard (PF) m ²	Polylack F kg	Polylack K, KG kg
0,1	0,14	0,25	0,35	0,08	0,2	0,45
0,2	0,28	0,5	0,7	0,16	0,4	0,91
0,3	0,42	0,75	1,05	0,24	0,6	1,37
0,4	0,58	1	1,4	0,32	0,8	1,82
0,5	0,7	1,25	1,75	0,4	1	2,28
0,6	0,84	1,5	2,1	0,48	1,2	2,73
0,7	0,98	1,75	2,45	0,56	1,4	3,19
0,8	1,12	2	2,8	0,64	1,6	3,64
0,9	1,26	2,25	3,15	0,72	1,8	4,1
1	1,4	2,5	3,5	0,8	2	4,55

Custom solutions in combined penetration

In floor EI60



In wall EI60

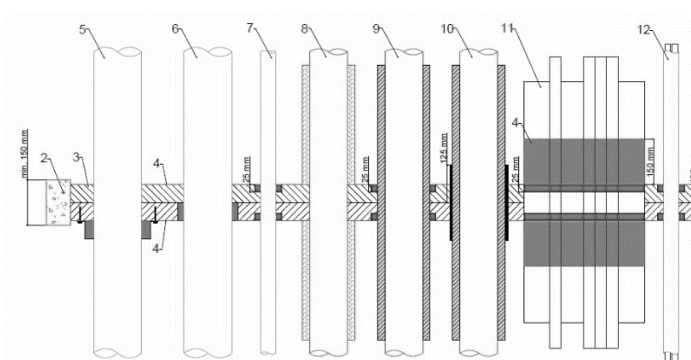


1. Flexible wall with thickness ≥ 100 mm
2. Rigid wall with ≥ 100 mm, rigid floor with ≥ 150 mm thicknesses
3. Stone wool with min. density 150 kg/m^3 and min. thickness 60 mm
4. Coating of Polylack F with thickness min 0,5 mm

POLYLACK F, K, KG

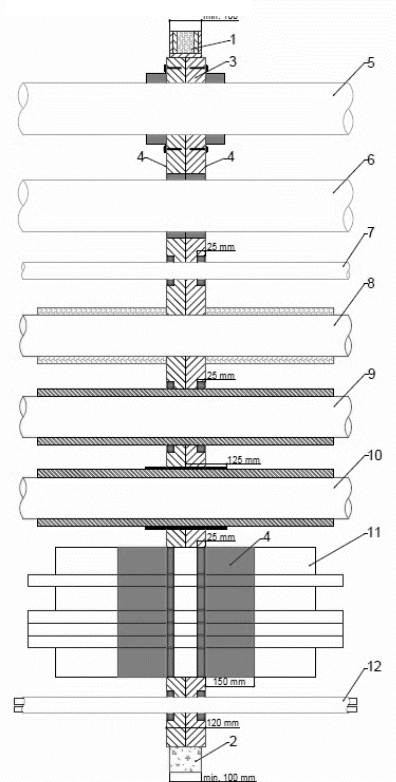
5. Plastic pipe with $\leq \varnothing$ 160 mm with PS collar
6. Plastic pipe with $\leq \varnothing$ 160 mm with wrap PS-25
7. Plastic pipe with $\leq \varnothing$ 160 mm with putty Polylack KG
8. Metal pipe with non-combustible local insulation
9. Metal pipe with combustible insulation and with putty Polylack KG
10. Metal pipe with combustible insulation and with PS Bandage
11. Cable tray/ladder with cables, sealing of Polylack KG and coating of Polylack F

In floor EI120



1. Flexible wall with thickness ≥ 100 mm
2. Rigid wall with ≥ 100 mm, rigid floor with ≥ 150 mm thicknesses
3. Stone wool with min. density 150 kg/m^3 and min. thickness 60 mm
4. Coating of Polylack F with thickness min 0,5 mm
5. Plastic pipe with $\leq \varnothing$ 160 mm with PS collar
6. Plastic pipe with $\leq \varnothing$ 160 mm with wrap PS-25
7. Plastic pipe with $\leq \varnothing$ 160 mm with putty Polylack KG
8. Metal pipe with non-combustible local insulation
9. Metal pipe with combustible insulation and with putty Polylack KG
10. Metal pipe with combustible insulation and with PS Bandage
11. Cable tray/ladder with cables, sealing of Polylack KG and coating of Polylack F

In wall EI120



POLYLACK F, K, KG



Licences

ETA-18/0171

CoP 1488-CPR-0680/W

NMÉ-28230037 001

TÁT MC 69254391 0001

ETA-17/1040

Cop 1396-CPR-0158